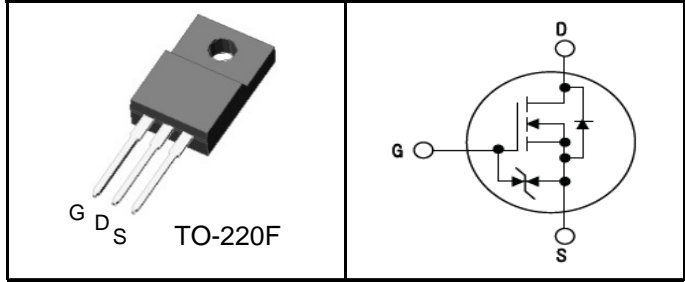




## 650V N-Channel Super Junction MOSFET

### Features

- $V_{DSS}=650V$ ,  $I_D=16.8A$
- $R_{DS(on)}:0.21\Omega$  (Max) @  $V_{GS}=10V$
- Very Low FOM ( $R_{DS(on)} \times Q_g$ )
- Extremely low switching loss
- Excellent stability and uniformity
- 100% Avalanche Tested
- Built-in ESD Diode



### Application

- Switch Mode Power Supply (SMPS)
- Uninterruptible Power Supply (UPS)
- Power Factor Correction (PFC)
- AC to DC Converters
- Telecom, Solar



### Device Marking and Package Information

| \$ # \$     | Package | Marking   |
|-------------|---------|-----------|
| MPSA65M210B | TO-220F | MP65M210B |

### Absolute Maximum Ratings $T_C=25^\circ C$ unless otherwise specified

| Symbol         | Parameter  | Value       | Unit       |
|----------------|--|-------------|------------|
| $V_{DSS}$      | Drain-Source Voltage   | 650         | V          |
| $V_{GS}$       | Gate-Source Voltage  | $\pm 20$    | V          |
| $I_D$          | Drain Current - Continuous ( $T_C = 25^\circ C$ )            | 16.8 *      | A          |
|                | Drain Current - Continuous ( $T_C = 100^\circ C$ )           | 10.6 *      | A          |
| $I_{DM}^{1)}$  | Drain Current - Pulsed                                       | 50 *        | A          |
| $E_{AS}^{2)}$  | Single Pulsed Avalanche Energy                               | 250         | mJ         |
| $I_{AR}$       | Avalanche Current  | 2.4         | A          |
| dv/dt          | MOSFET dv/dt ruggedness, $V_{DS}=0\dots 400V$                | 50          | V/ns       |
| dv/dt          | Reverse diode dv/dt, $V_{DS}=0\dots 400V$ , $I_{DS}\leq I_D$ | 15          | V/ns       |
| $P_D$          | Power Dissipation ( $T_C = 25^\circ C$ )                     | 33          | W          |
| $V_{ESD(G-S)}$ | Gate source ESD(HBM-C=100pF, R=1.5K $\Omega$ )               | 2000        | V          |
| $T_J, T_{STG}$ | Operating and Storage Temperature Range                      | -55 to +150 | $^\circ C$ |

\* Drain current limited by maximum junction temperature

### Thermal Resistance Characteristics

| Symbol          | Parameter                                     | Value | Unit         |
|-----------------|---|-------|--------------|
| $R_{\theta JC}$ | Thermal Resistance, Junction-to-Case, Max.    | 3.77  | $^\circ C/W$ |
| $R_{\theta JA}$ | Thermal Resistance, Junction-to-Ambient, Max. | 80    | $^\circ C/W$ |



总务部

# MPSA65M210B

## Electrical Characteristics $T_J=25^\circ\text{C}$ unless otherwise specified

| Symbol  | Parameter   | Test Conditions  | Min | Typ   | Max     | Unit          |
|---|---|--|-----|-------|---------|---------------|
| <b>On Characteristics</b>                                     |   |  |     |       |         |               |
| $V_{GS}$  | Gate Threshold Voltage                                | $V_{DS} = V_{GS}, I_D = 670 \mu\text{A}$   | 2.0 | -     | 4.0     | V             |
| $R_{DS(ON)}$  | Static Drain-Source On-Resistance                     | $V_{GS} = 10 \text{ V}, I_D = 6.2 \text{ A}$                                       | -   | 0.185 | 0.21    | $\Omega$      |
| <b>Off Characteristics</b>                                    |   |  |     |       |         |               |
| $BV_{DSS}$  | Drain-Source Breakdown Voltage                        | $V_{GS} = 0 \text{ V}, I_D = 1 \text{ mA}$   | 650 | -     | -       | V             |
| $I_{DSS}$   | Zero Gate Voltage Drain Current                       | $V_{DS} = 650 \text{ V}, V_{GS} = 0$   | -   | -     | 1       | $\mu\text{A}$ |
|   |   | $V_{DS} = 650 \text{ V}, T_C = 150^\circ\text{C}$                                  | -   | -     | 100     | $\mu\text{A}$ |
| $I_{GSS}$   | Gate-Body Leakage Current                             | $V_{GS} = \pm 20 \text{ V}, V_{DS} = 0 \text{ V}$                                  | -   | -     | $\pm 1$ | $\mu\text{A}$ |
| <b>Dynamic Characteristics</b>                                |   |  |     |       |         |               |
| $C_{iss}$   | Input Capacitance                                     | $V_{DS} = 400 \text{ V}, V_{GS} = 0 \text{ V}, f = 1.0 \text{ MHz}$                | -   | 1750  | -       | pF            |
| $C_{oss}$   | Output Capacitance                                    |  | -   | 39    | -       | pF            |
| $C_{rss}$   | Reverse Transfer Capacitance                          |  | -   | 3.4   | -       | pF            |
| <b>Switching Characteristics</b>                              |   |  |     |       |         |               |
| $t_{d(on)}$   | Turn-On Time  | $V_{DS} = 325 \text{ V}, I_D = 8.7 \text{ A}, R_G = 25 \Omega$<br>(Note 3,4)       | -   | 39    | -       | ns            |
| $t_r$   | Turn-On Rise Time                                     |  | -   | 21    | -       | ns            |
| $t_{d(off)}$  | Turn-Off Delay Time                                   |  | -   | 171   | -       | ns            |
| $t_f$   | Turn-Off Fall Time                                    |  | -   | 18    | -       | ns            |
| $Q_g$   | Total Gate Charge                                     | $V_{DS} = 520 \text{ V}, I_D = 8.7 \text{ A}, V_{GS} = 10 \text{ V}$<br>(Note 3,4) | -   | 40    | -       | nC            |
| $Q_{gs}$  | Gate-Source Charge                                    |  | -   | 8     | -       | nC            |
| $Q_{gd}$  | Gate-Drain Charge                                     |  | -   | 12    | -       | nC            |
| <b>Drain-Source Diode Characteristics and Maximum Ratings</b> |   |  |     |       |         |               |
| $I_S$   | Maximum Continuous Drain-Source Diode Forward Current |  | -   | -     | 16.8    | A             |
| $I_{SM}$  | Maximum Pulsed Drain-Source Diode Forward Current     |  | -   | -     | 50      | A             |
| $V_{SD}$  | Drain-Source Diode Forward Voltage                    | $V_{GS} = 0 \text{ V}, I_S = 8.7 \text{ A}$  | -   | -     | 1.3     | V             |
| $t_{rr}$  | Reverse Recovery Time                                 | $V_R = 400 \text{ V}, I_F = 8.7 \text{ A}, di_F/dt = 100 \text{ A}/\mu\text{s}$    | -   | 340   | -       | ns            |
| $Q_{rr}$  | Reverse Recovery Charge                               |  | -   | 4.7   | -       | $\mu\text{C}$ |

### Notes :

1. Repetitive Rating : Pulse width limited by maximum junction temperature
2.  $I_{AS}=2.4\text{A}$   $V_{DD}=50\text{V}$ ,  $R_G=25\Omega$ , Starting  $T_J=25^\circ\text{C}$
3. Pulse Test : Pulse Width  $\leq 300\mu\text{s}$ , Duty Cycle  $\leq 2\%$
4. Essentially Independent of Operating Temperature

## Typical Characteristics

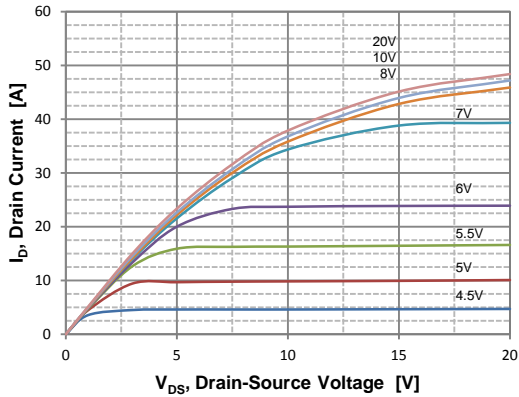


Figure 1. On Region Characteristics

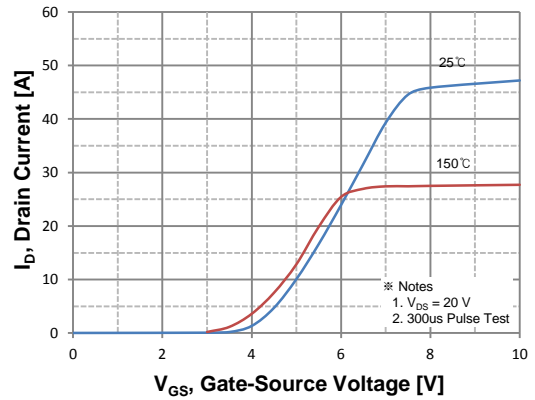


Figure 2. Transfer Characteristics

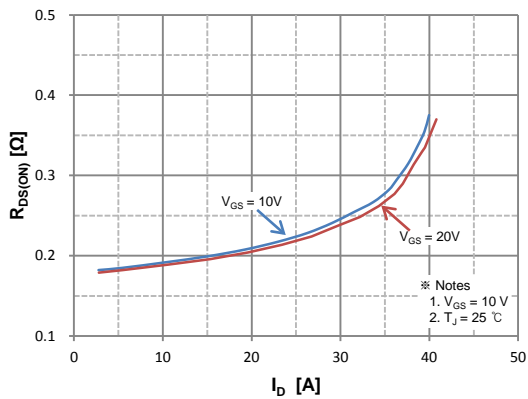


Figure 3. On Resistance Variation vs Drain Current and Gate Voltage

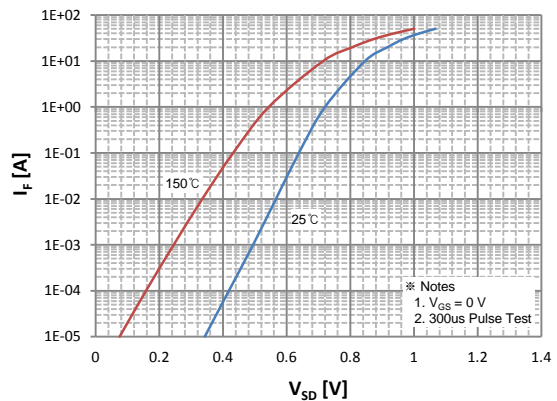


Figure 4. Body Diode Forward Voltage Variation with Source Current and Temperature

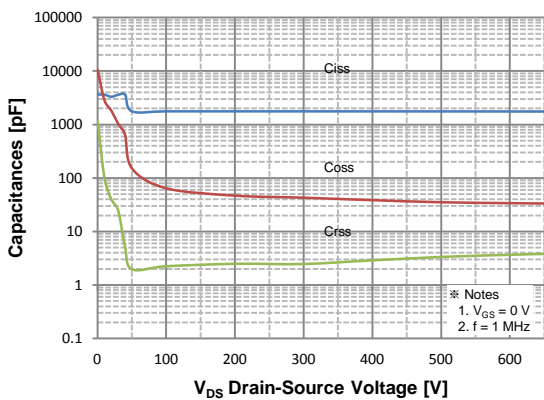


Figure 5. Capacitance Characteristics

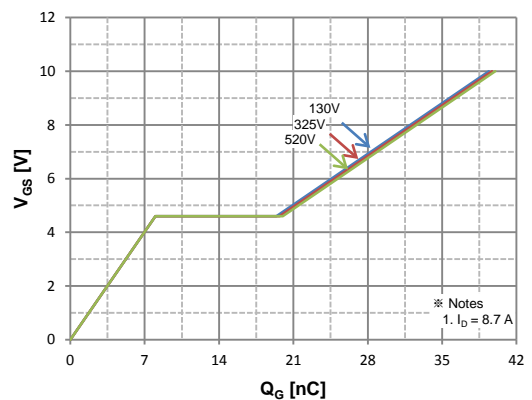


Figure 6. Gate Charge Characteristics

## Typical Characteristics

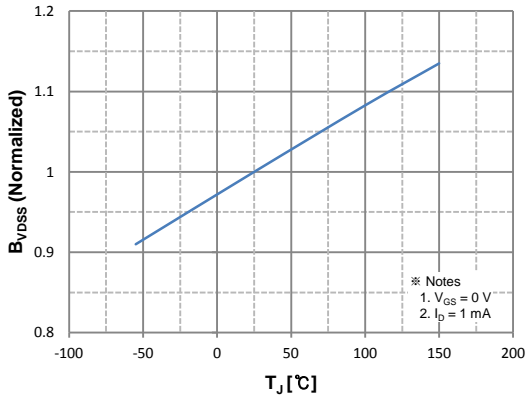


Figure 7. Breakdown Voltage Variation vs. Temperature

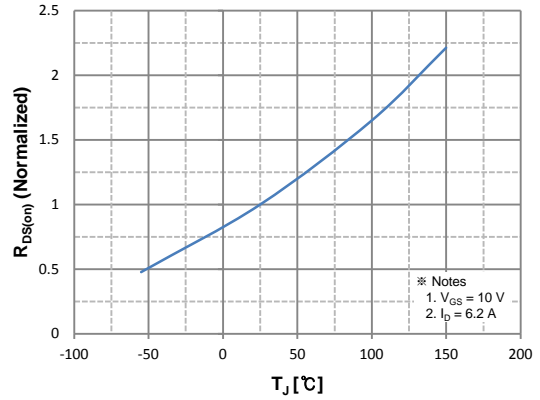


Figure 8. On-Resistance Variation vs. Temperature

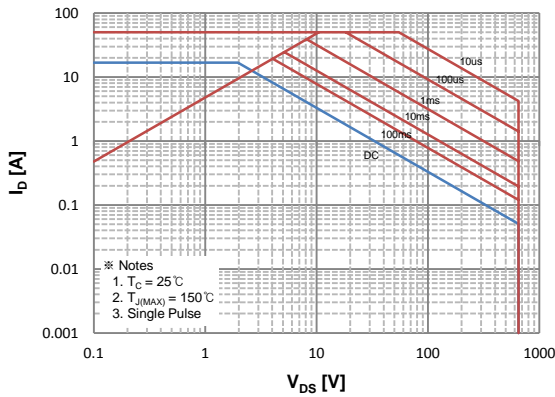


Figure 9. Maximum Safe Operating Area

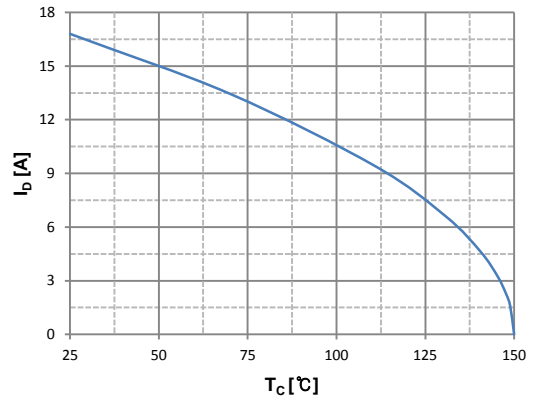


Figure 10. Maximum Drain Current vs. Case Temperature

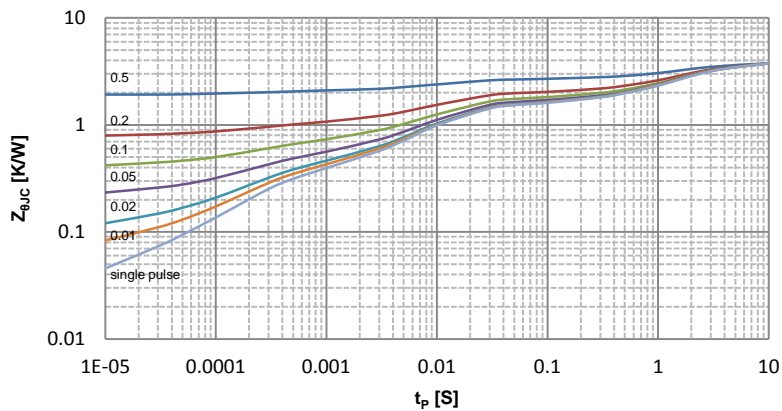


Figure 11. Transient Thermal Response Curve

Fig 12. Gate Charge Test Circuit & Waveform

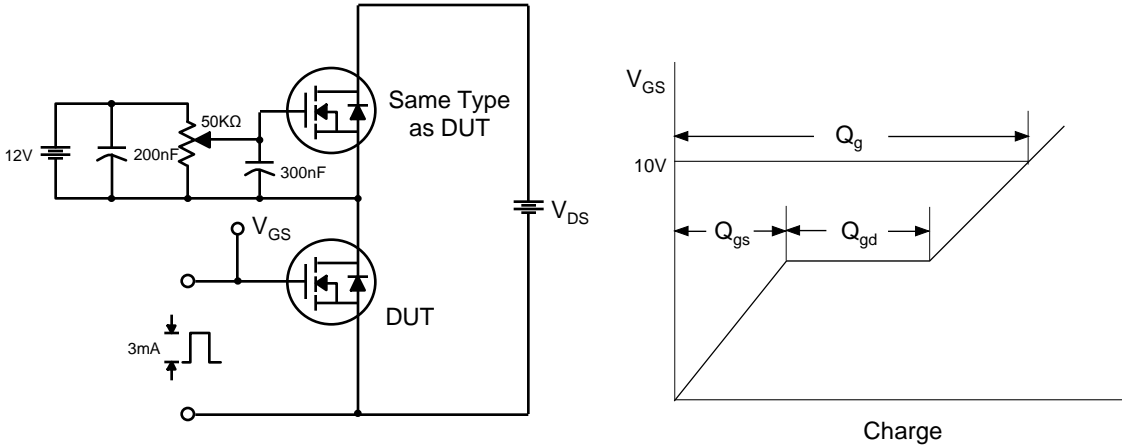


Fig 13. Resistive Switching Test Circuit & Waveforms

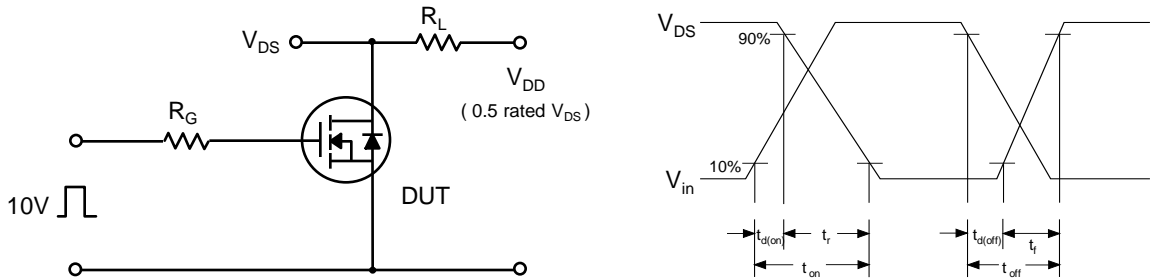


Fig 14. Unclamped Inductive Switching Test Circuit & Waveforms

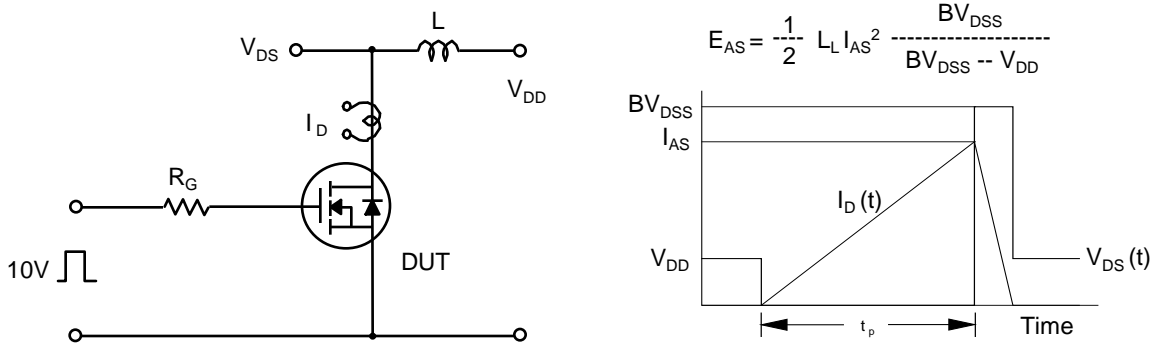
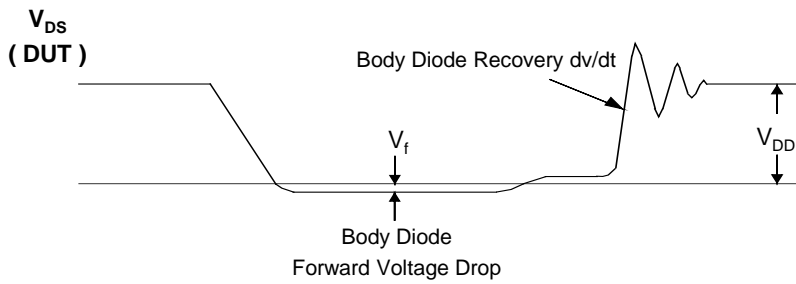
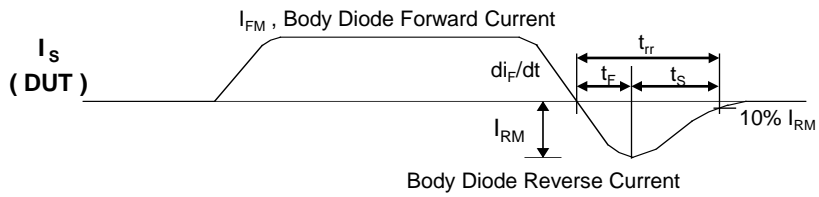
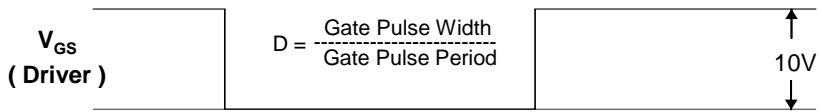
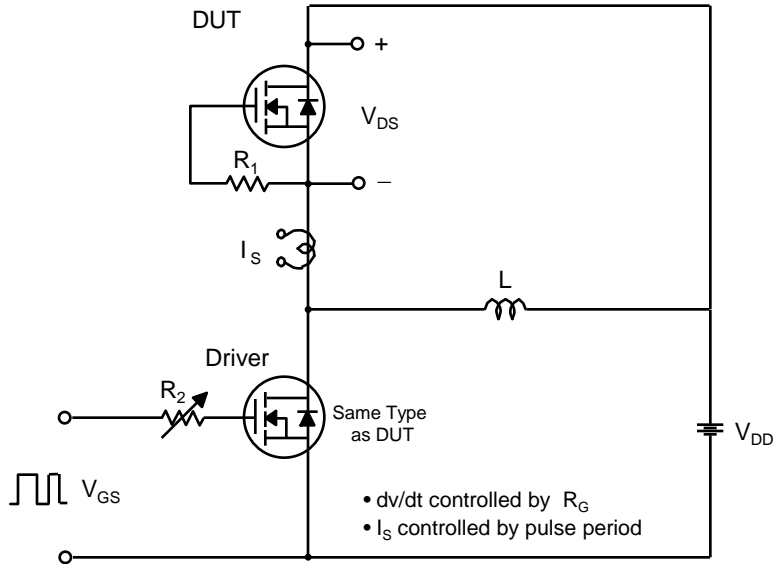
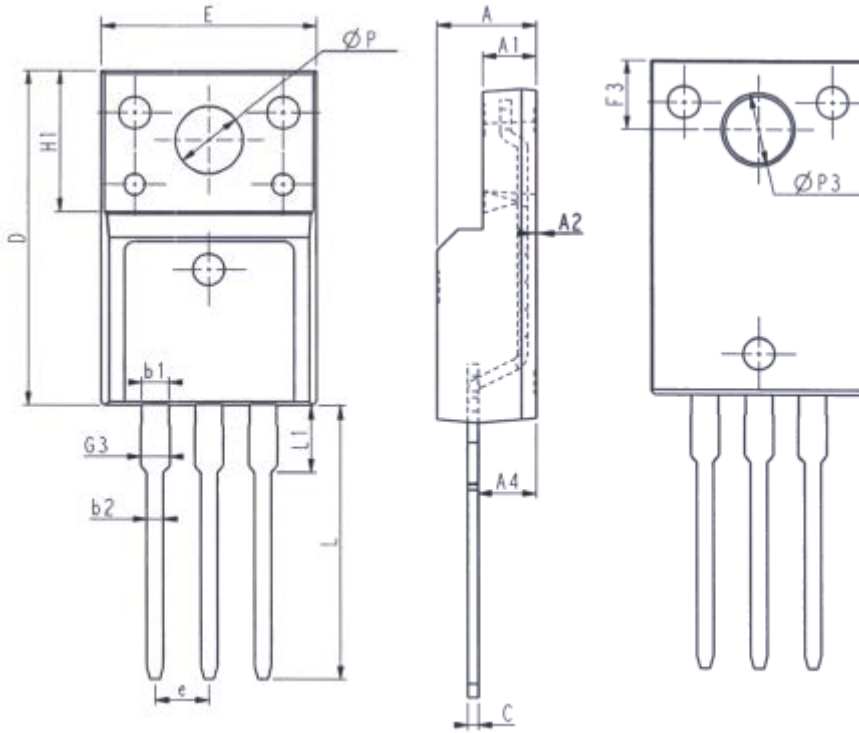


Fig 15. Peak Diode Recovery dv/dt Test Circuit & Waveforms



TO-220F



| Unit: mm |         |       | Unit: mm |       |       |
|----------|---------|-------|----------|-------|-------|
| Symbol   | Min.    | Max.  | Symbol   | Min.  | Max.  |
| E        | 9.96    | 10.36 | L        | 12.68 | 13.28 |
| A        | 4.50    | 4.90  | L1       | 2.93  | 3.13  |
| A1       | 2.34    | 2.74  | P        | 3.03  | 3.38  |
| A2       | 0.30    | 0.60  | P3       | 3.15  | 3.65  |
| A4       | 2.56    | 2.96  | F3       | 3.15  | 3.45  |
| c        | 0.40    | 0.65  | G3       | 1.25  | 1.55  |
| D        | 15.57   | 16.17 | b1       | 1.18  | 1.43  |
| H1       | 6.70REF |       | b2       | 0.70  | 0.95  |
| e        | 2.54BSC |       |          |       |       |